

HOSE HOLDER ASSEMBLY INSTRUCTIONS

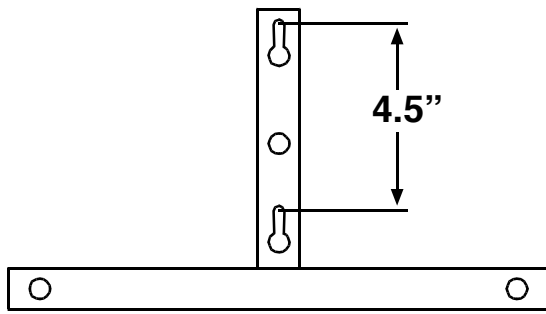


Figure 1

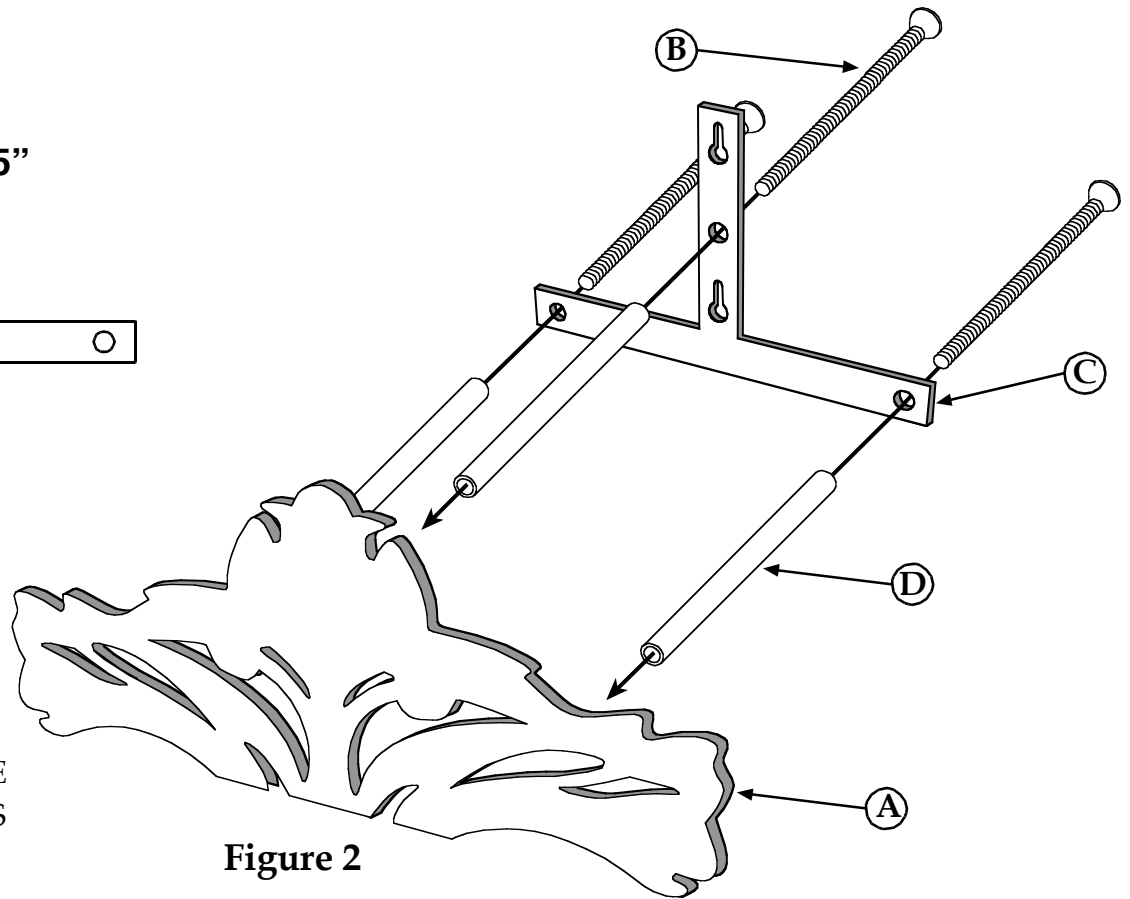


Figure 2

HOSE HOLDER CONSISTS OF:

- A. (1) DECORATIVE FACE
- B. (3) MACHINE SCREWS
- C. (1) T-PLATE
- D. (3) SUPPORT TUBES

ASSEMBLY OF HOSE HOLDER:

1. Hold the t-plate (C) flat against the mounting surface in the desired location. Mark the top of the keyholes and drill pilot holes 4.5" apart. Install your mounting hardware (*not provided*).** (See Figure 1)
2. Place decorative face (A) front side down.
3. Place machine screws (B) through indicated holes on the t-plate (C).
4. Place one support tube (D) over one machine screw (B) and place over decorative face (A). Align A & B so that the machine screw goes through the support tube and threads into the corresponding hole on the back side of A. (See Figure 2)
5. Lightly screw together (*do not tighten yet*). Repeat steps 4-5 with the remaining support tubes (D).
6. Tighten all screws until snug with screwdriver.
7. Hang the assembled Hose Holder by placing the keyholes over the screws you installed earlier on your mounting surface and firmly pressing down. This will lock your new Hose Holder in place and it will be ready to use.

** For best results on exterior siding, we recommend that you locate a stud, behind the wall surface and use a #14 x 3" wood screw or 1/4" x 3" lag bolt. For brick, masonry, or concrete walls, use a 1/4" masonry anchor or toggle bolt.